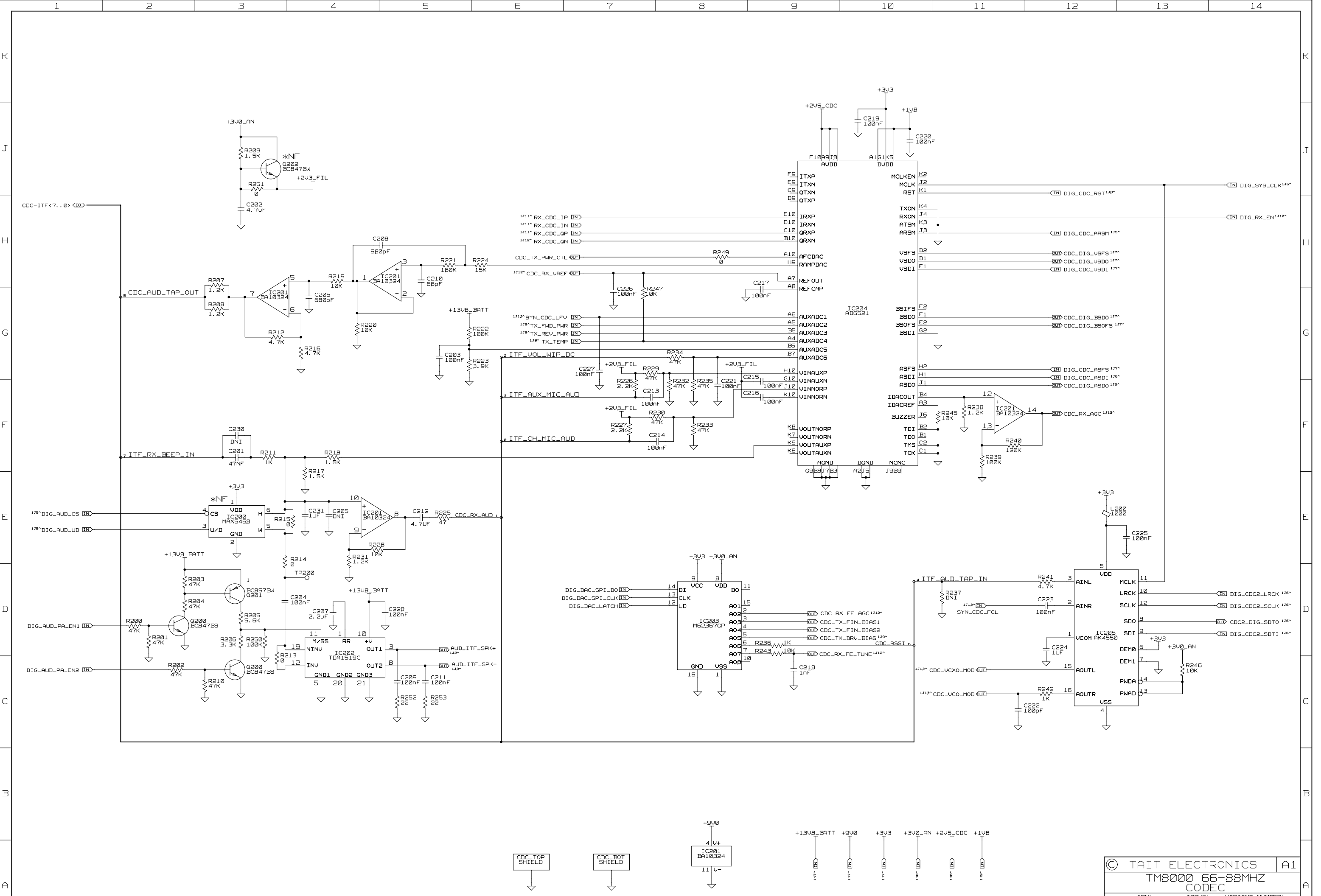


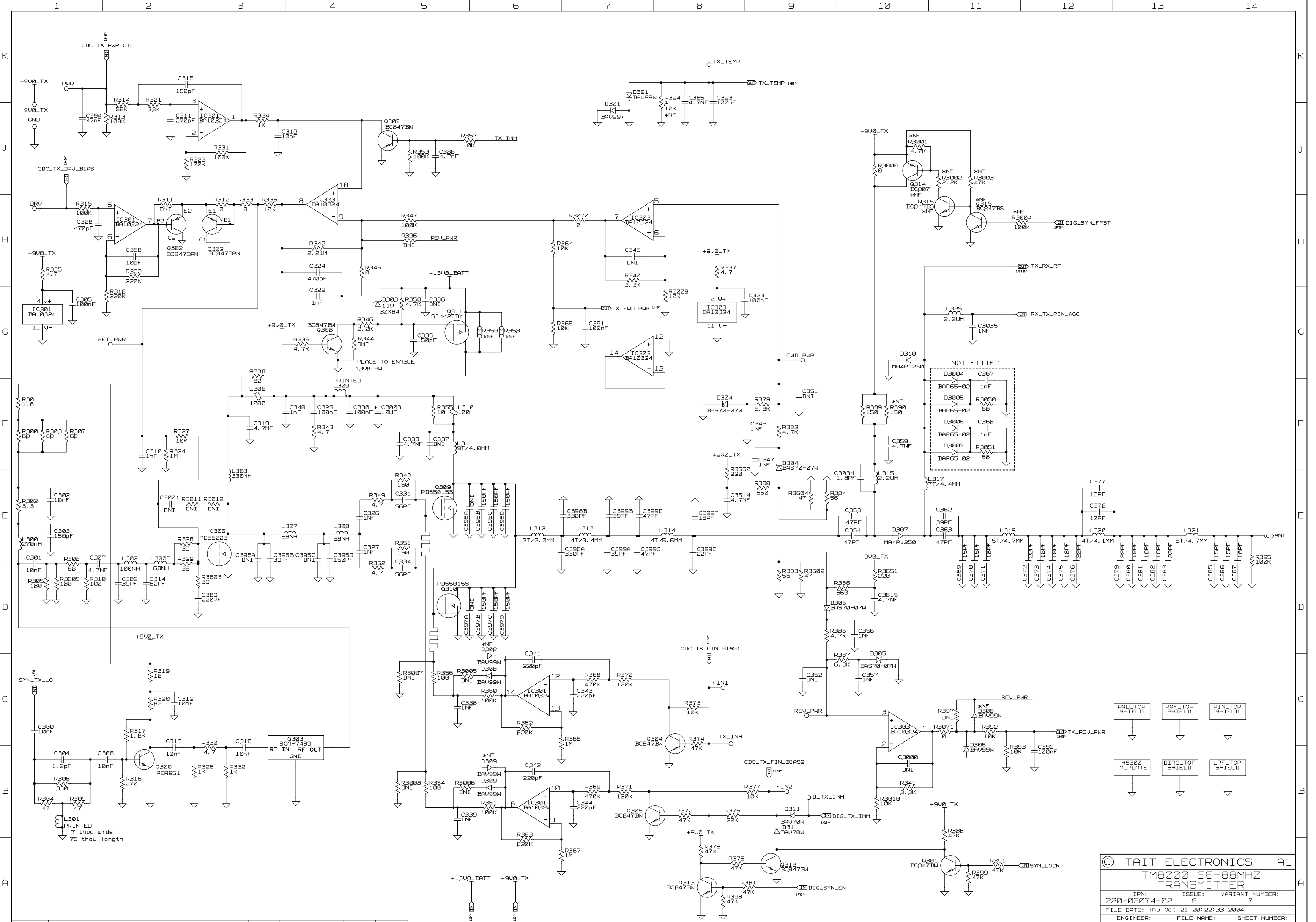
02A	NB, FCL, AND MICA CAP. DCO 2074021, 2	CRAIG M			18/10/04
01A	FROM 226-00150-04, DCO 150051, 2 AND 3	CRAIG M			03/09/04
REV/ISS	AMENDMENTS	DRAWN	CHKD	D.O.	APVD

© TAIT ELECTRONICS		A1
TM8000 66-88MHZ SYSTEM		
IPN: 220-02074-02	ISSUE: A	VARIANT NUMBER: ?
FILE DATE: Thu Oct 21 20:22:27 2004		
ENGINEER: TM8000	FILE NAME: 220_02074	SHEET NUMBER: 1 OF 7



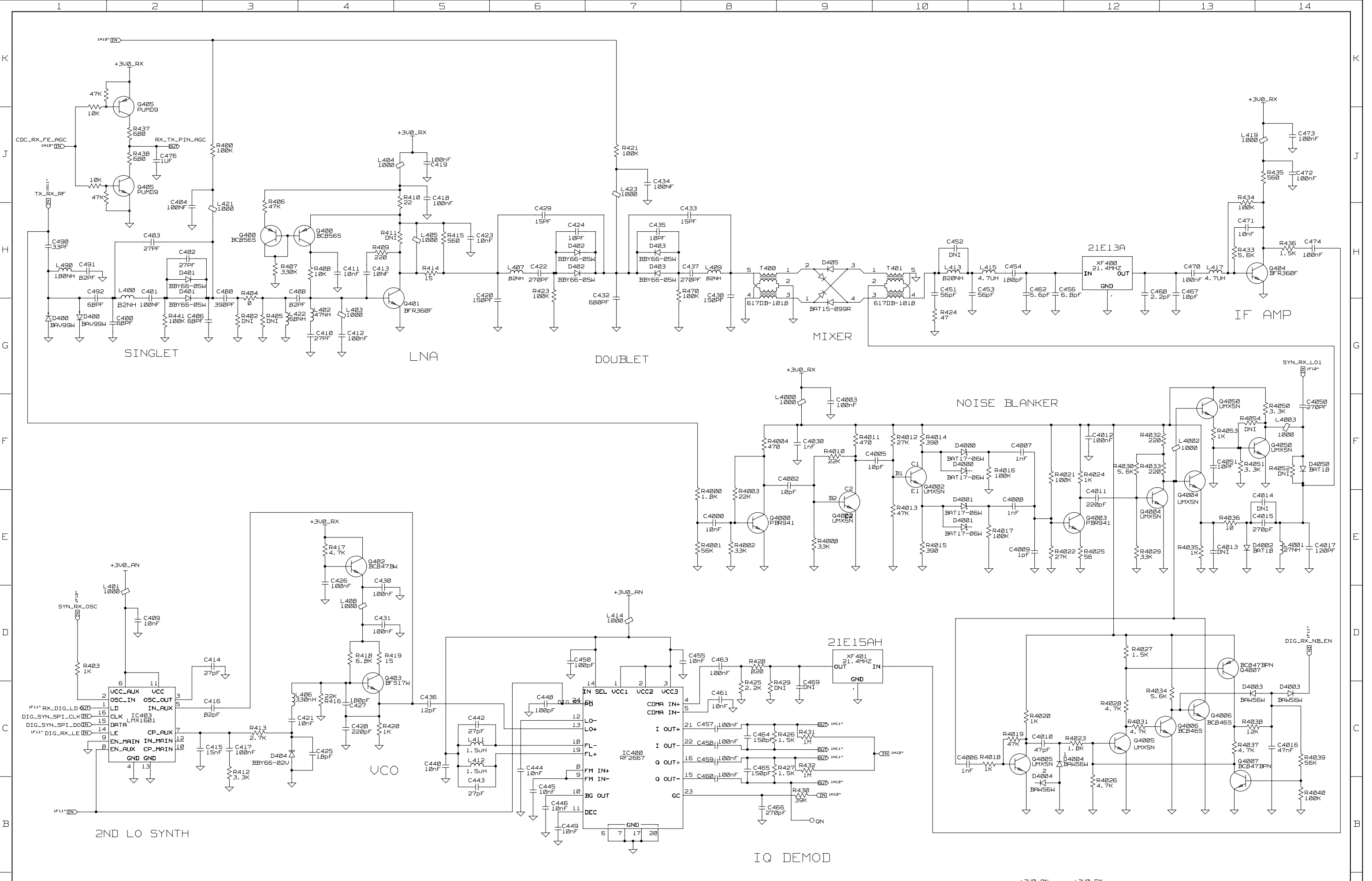
© TAIT ELECTRONICS		A1
TM8000 66-88MHZ CODEC		
IPN: 220-02074-02	ISSUE: A	VARIANT NUMBER: ?
FILE DATE: Thu Oct 21 20:22:30 2004		
ENGINEER: TM8000	FILE NAME: 220_02074	SHEET NUMBER: 2 OF 7

REV/ISS	AMENDMENTS	DRAWN	CHKD	D.O.	APVD	DATE
1						



© TAIT ELECTRONICS		A1
TM8000 66-88MHZ TRANSMITTER		
IPN: 220-02074-02	ISSUE: A	VARIANT NUMBER: ?
FILE DATE: Thu Oct 21 20:22:33 2004		
ENGINEER: TM8000	FILE NAME: 220_02074	SHEET NUMBER: 3 OF 7

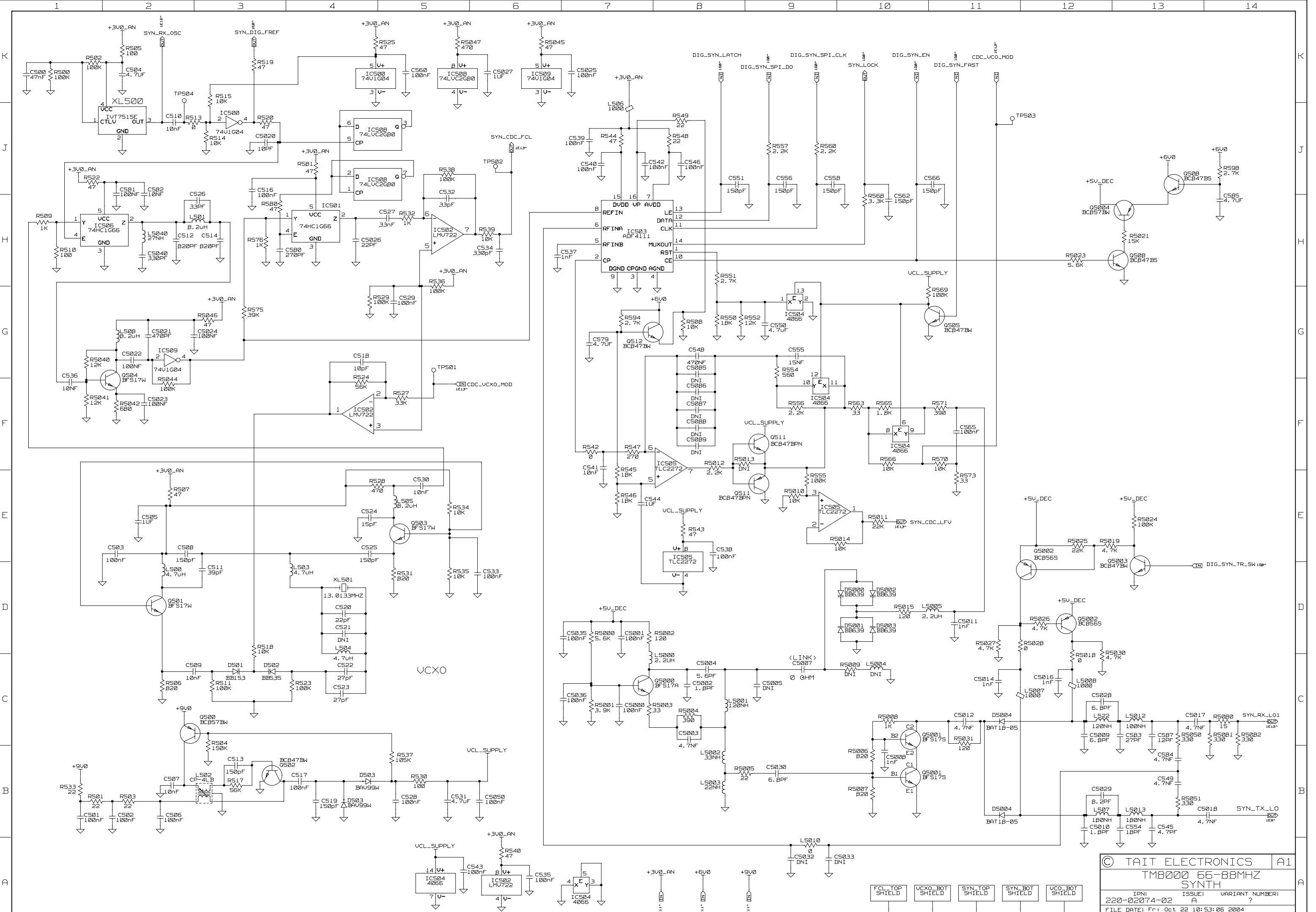
REV./ISS	AMENDMENTS	DRAWN	CHKD	D. O.	APVD	DATE
1						
2						
3						
4						
5						
6						
7						
8						
9						
10						
11						
12						
13						
14						



NB\_BOT SHIELD  
 FE\_TOP SHIELD  
 IF\_TOP SHIELD  
 LO2\_BOT SHIELD  
 +3V0\_AN  
 +3V0\_RX

© TAIT ELECTRONICS		A1
TM8000 66-88MHz RECEIVER		
IPN: 220-02074-02	ISSUE: A	VARIANT NUMBER: ?
FILE DATE: Mon Nov 01 09:47:43 2004		
ENGINEER: TM8000	FILE NAME: 220_02074	SHEET NUMBER: 4 OF 7

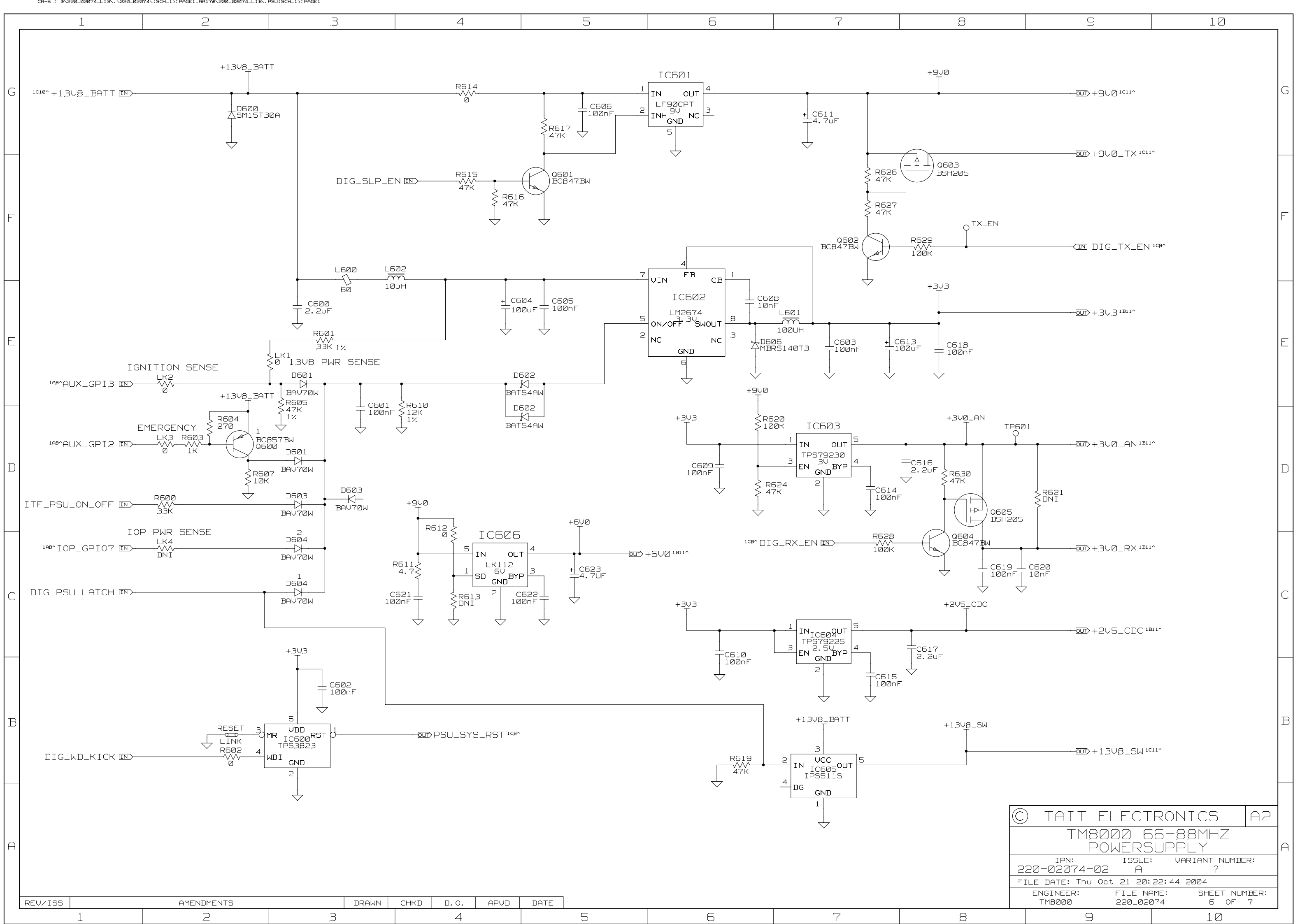
REV/ISS	AMENDMENTS	DRAWN	CHKD	D.O.	APVD	DATE
1						
2						
3						
4						
5						
6						
7						
8						
9						
10						
11						
12						
13						
14						



© TAIT ELECTRONICS		A1
TM8000 66-88MHZ SYNTH		
IPN: 220-02074-02	ISSUE: A	VARIANT NUMBER: ?
FILE DATE: Fri Oct 22 10:53:06 2004	ENGINEER: TM8000	FILE NAME: 220_02074
		SHEET NUMBER: 5 OF 7

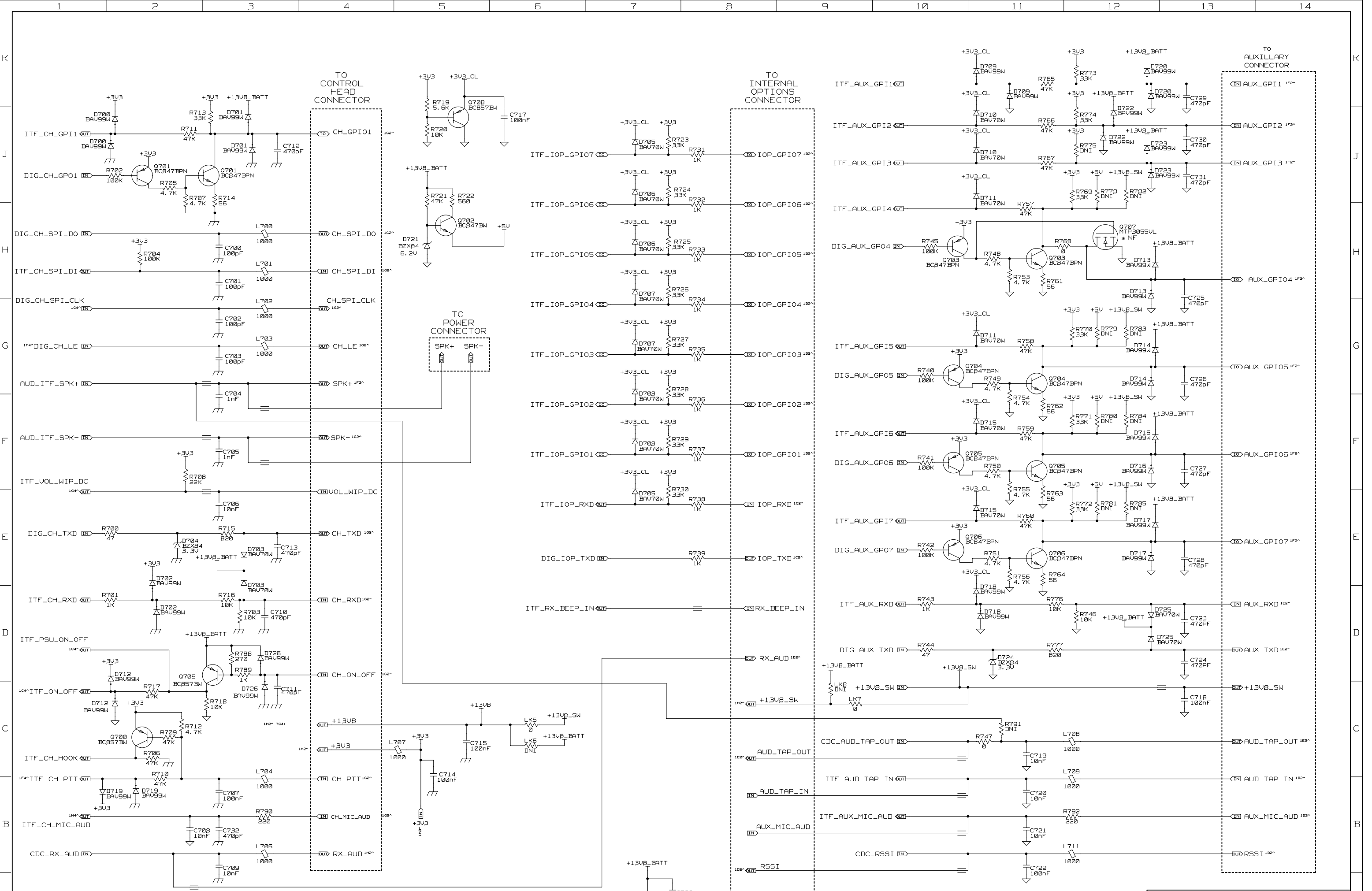
REV./ISS	AMENDMENTS	DRAWN	CHKD	D. O.	APVD	DATE
1						
2						
3						
4						
5						
6						
7						
8						
9						
10						
11						
12						
13						
14						

FCL\_TOP SHIELD  
 UCXO\_BOT SHIELD  
 SYN\_TOP SHIELD  
 SYN\_BOT SHIELD  
 UCXO\_BOT SHIELD



© TAIT ELECTRONICS		A2
TM8000 66-88MHZ POWERSUPPLY		
IPN: 220-02074-02	ISSUE: A	VARIANT NUMBER: ?
FILE DATE: Thu Oct 21 20:22:44 2004		
ENGINEER: TM8000	FILE NAME: 220_02074	SHEET NUMBER: 6 OF 7

REV/ISS	AMENDMENTS	DRAWN	CHKD	D. O.	APVD	DATE
1	2	3	4	5	6	7

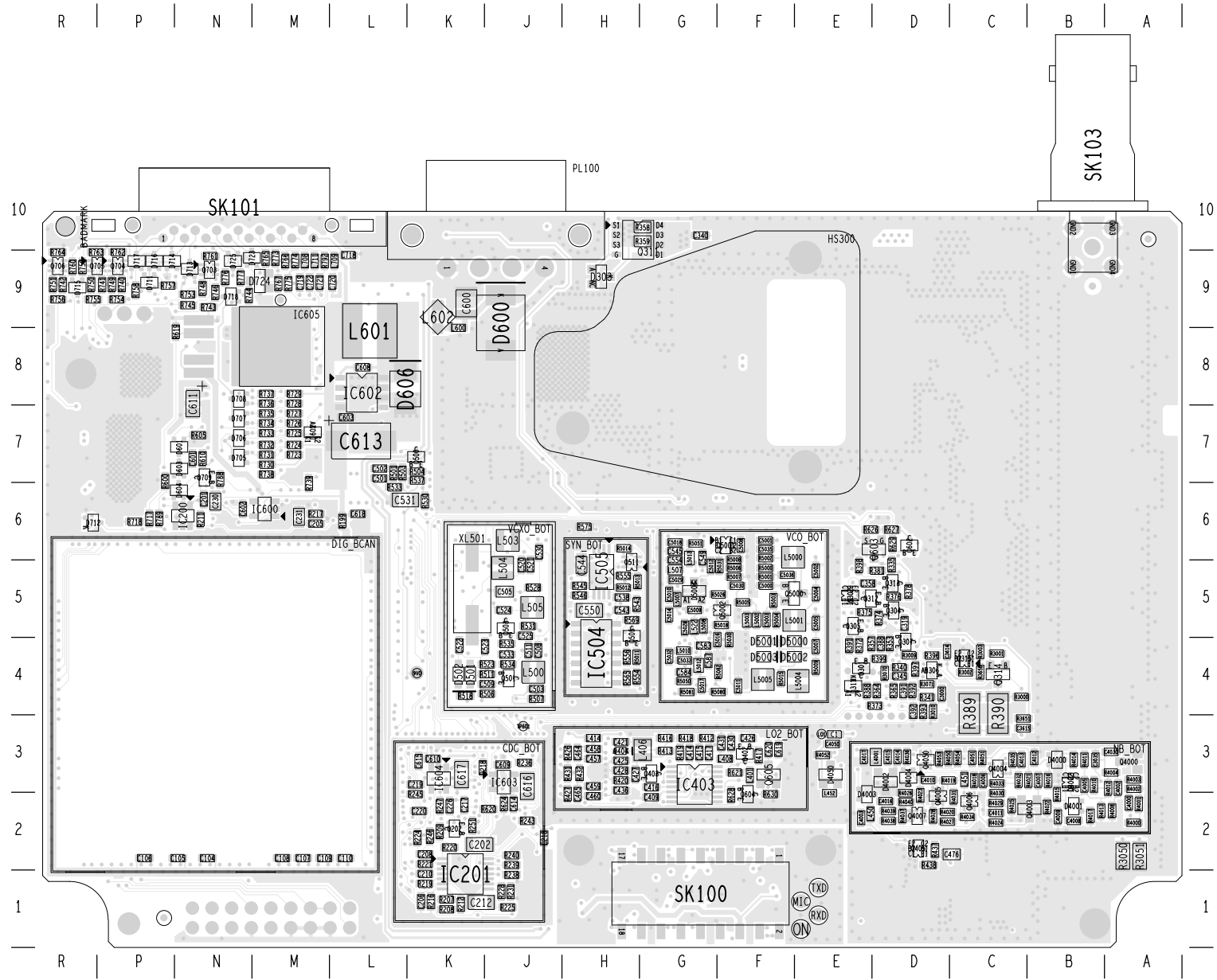


© TAIT ELECTRONICS		A1
TMB000 66-88MHZ INTERFACE		
IPN: 220-02074-02	ISSUE: A	VARIANT NUMBER: ?
FILE DATE: Thu Oct 21 20:22:47 2004		
ENGINEER: TMB000	FILE NAME: 220_02074	SHEET NUMBER: 7 OF 7

REV/ISS	AMENDMENTS	DRAWN	CHKD	D. O.	APVD	DATE
1						
2						
3						
4						
5						
6						
7						
8						
9						
10						
11						
12						
13						
14						







TAIT ELECTRONICS	IPN: 220-02074-02	ISS: A	DATE: 220ct04	SCALE: NTS
TM8000 66-88MHZ MAIN BOARD LAYOUT-SECONDARY-SIDE				